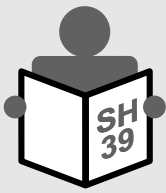


TOP CASE SH39

OWNER'S MANUAL

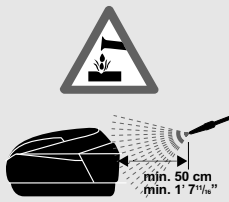


4 kg

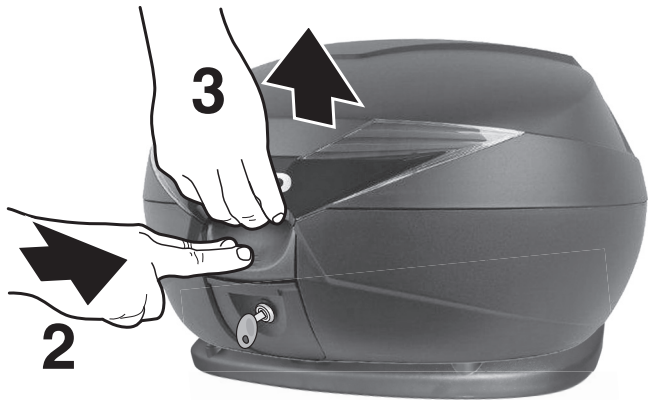
120 km/h

8,8 lbs

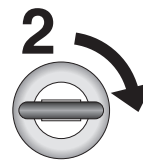
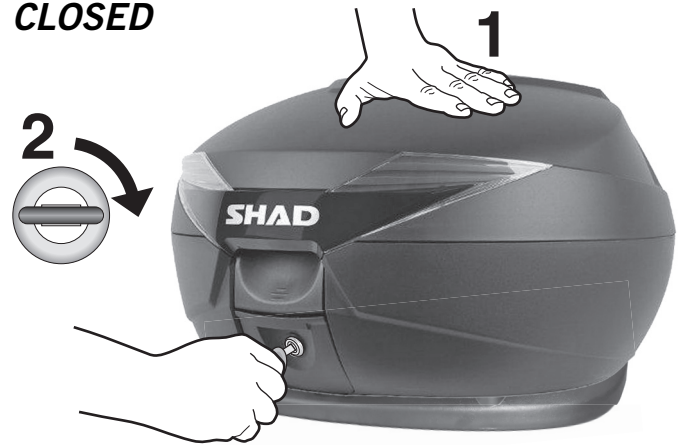
75 MpH



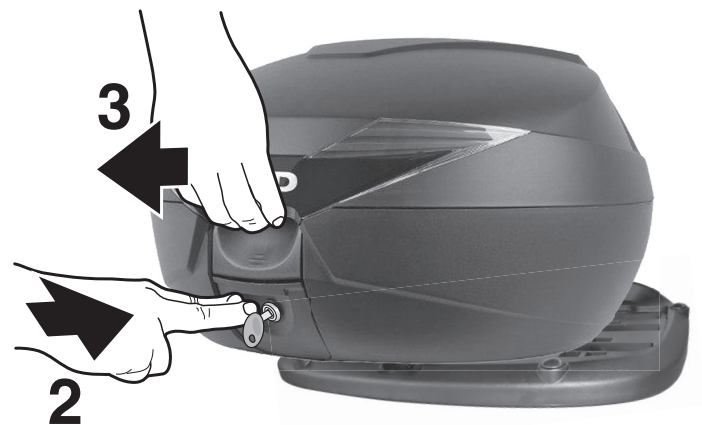
OPEN



CLOSED



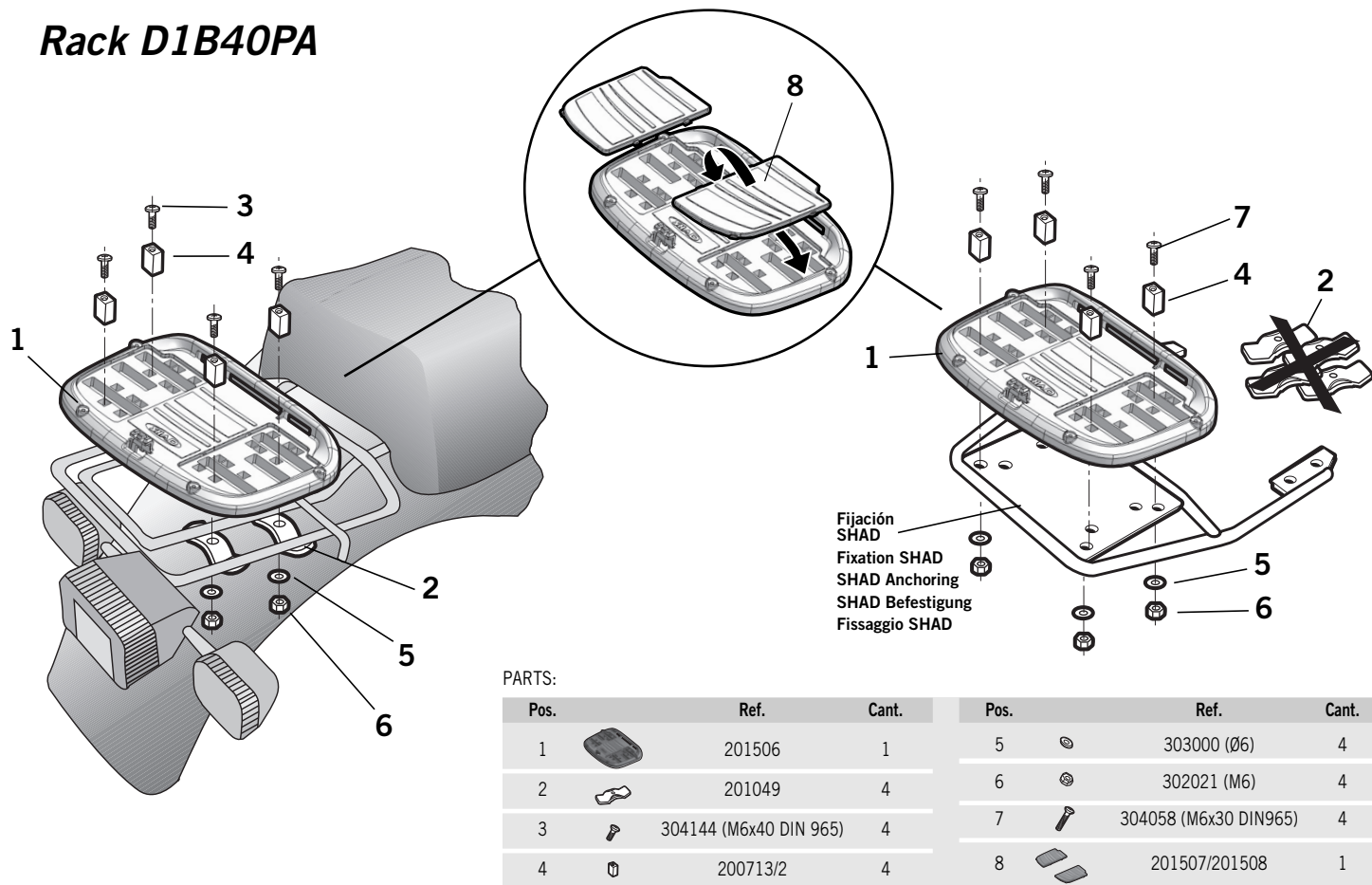
RELEASE



SHAD

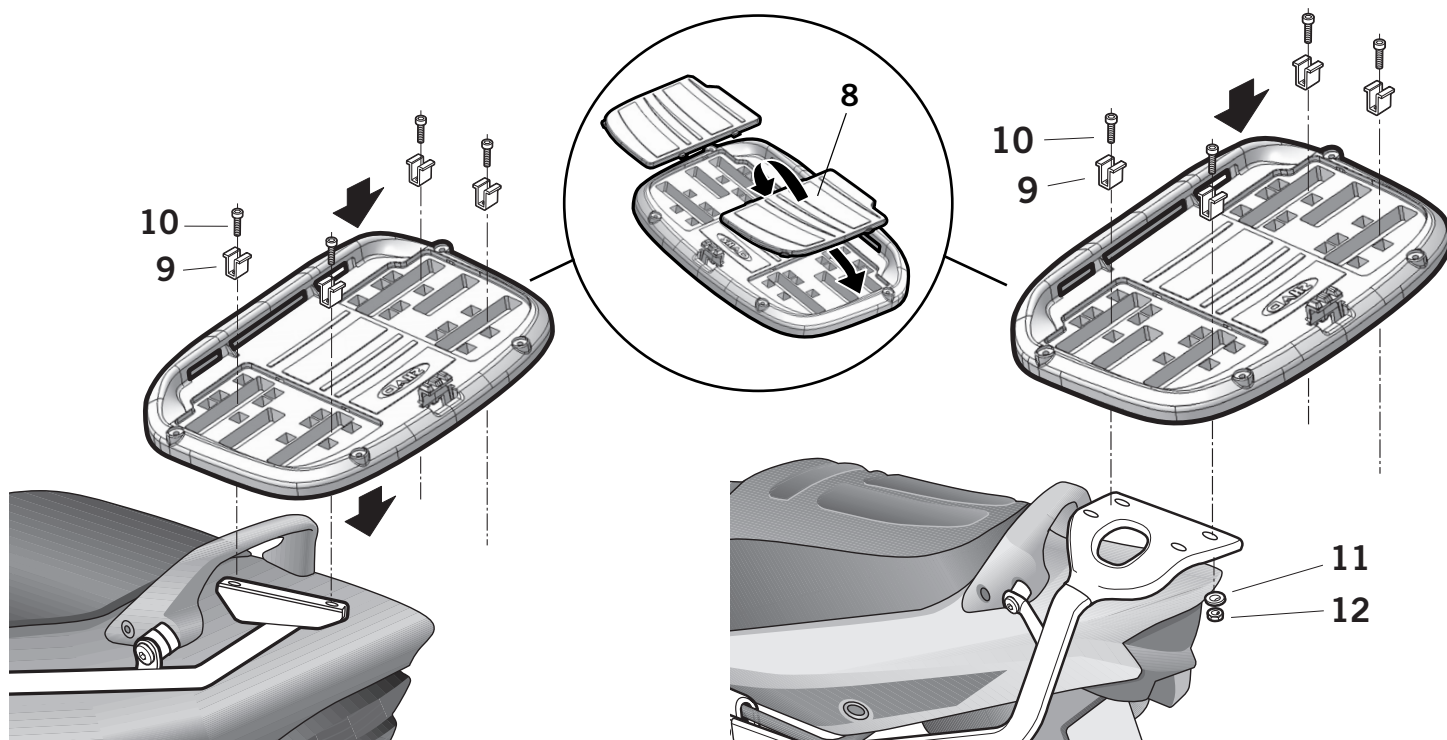
TOP CASE SH39

Rack D1B40PA



PARTS:

| Pos. | Ref. | Cant. | Pos. | Ref. | Cant. |
|------|------------------------|-------|------|-----------------------|-------|
| 1 | 201506 | 1 | 5 | 303000 (Ø6) | 4 |
| 2 | 201049 | 4 | 6 | 302021 (M6) | 4 |
| 3 | 304144 (M6x40 DIN 965) | 4 | 7 | 304058 (M6x30 DIN965) | 4 |
| 4 | 200713/2 | 4 | 8 | 201507/201508 | 1 |



PARTS:

| Pos. | Ref. | Cant. |
|------|-----------------------|-------|
| 9 | 201504 * | 4 |
| 10 | 304074 (M8x20 912) ** | 4 |
| 11 | 303020 (Ø8) ** | 4 |
| 12 | 302024 (M8) ** | 4 |

(GB) Note: Consult accessories with your distributor.
(*) It can only be used on the Top or Full master.
(**) Included in the specific support.

(E) Nota: Consulte accesorios con su distribuidor.
(*) Solo se utilizará sobre el Top y Full Master.
(**) Incluidos en el soporte específico.

(F) Remarque: Consultez les accessoires avec votre distributeur.
(*) Seulement on pourrait l'utiliser sur le top et le full master.
(**) Inclus dans le support spécifique.

(D) Anmerkung: Auslieferer zu dem Zubehör befragen.
(*) Wird nur im Top und Full Master verwendet.
(**) Im spezifischen Halter enthalten.

(I) Nota: Consulti gli accessori con il suo rivenditore.
(*) Solo si utilizzerà sul Top e Full Master.
(**) Inclusi nel supporto specifico.

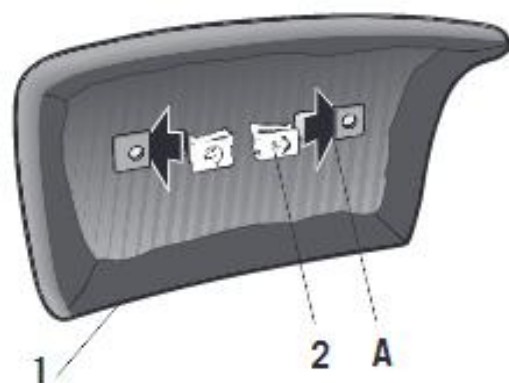
SHAD

TOP CASE BACKREST SH39

1



2



3



| Number | Reference | Quantity |
|--------|------------------------------|----------|
| 1 | DOR13900 (TOP CASE BACKREST) | 1 |
| 2 | 305058 (Rapid Nut TRT-M5-1) | 2 |
| 3 | 304191 (Screw M5x16 DIN965) | 2 |
| 4 | 200314 (Plastic washer) | 2 |

SHAD
WWW.SHAD.ES

Celave Lesniz, 2-6
Pol. Ind. Can Magarola
08100 MOLLET DEL VALLÈS
BARCELONA (SPAIN)

Phone: 0034 935 795 860
Fax: 0034 935 799 945
info@shad.es