



ACCESSORY SETUP INSTRUCTION

REAR RACK EXTENDER -- PN 9AW#-802400-2000

VALID FOR: MY2020 and Newer CFORCE 800XC & 1000 ATVs


BEFORE YOU BEGIN: Read and understand the instructions before starting any work. Make sure that all parts are ready and that you have all the tools required for assembly.


NOTE: CFMOTO shall not be liable for any damage caused by incorrect assembly. CFMOTO recommends that all original accessories be assembled by an authorized CFMOTO dealer.

Before assembly, park the vehicle on a flat surface, put the transmission gear into Park (P) and turn off the key switch.

Zhejiang CFMOTO Power Co., Ltd. All rights reserved. Reproduction of this document, even in part, as well as copying of all kinds, is permitted only with the express written permission of the copyright owner.

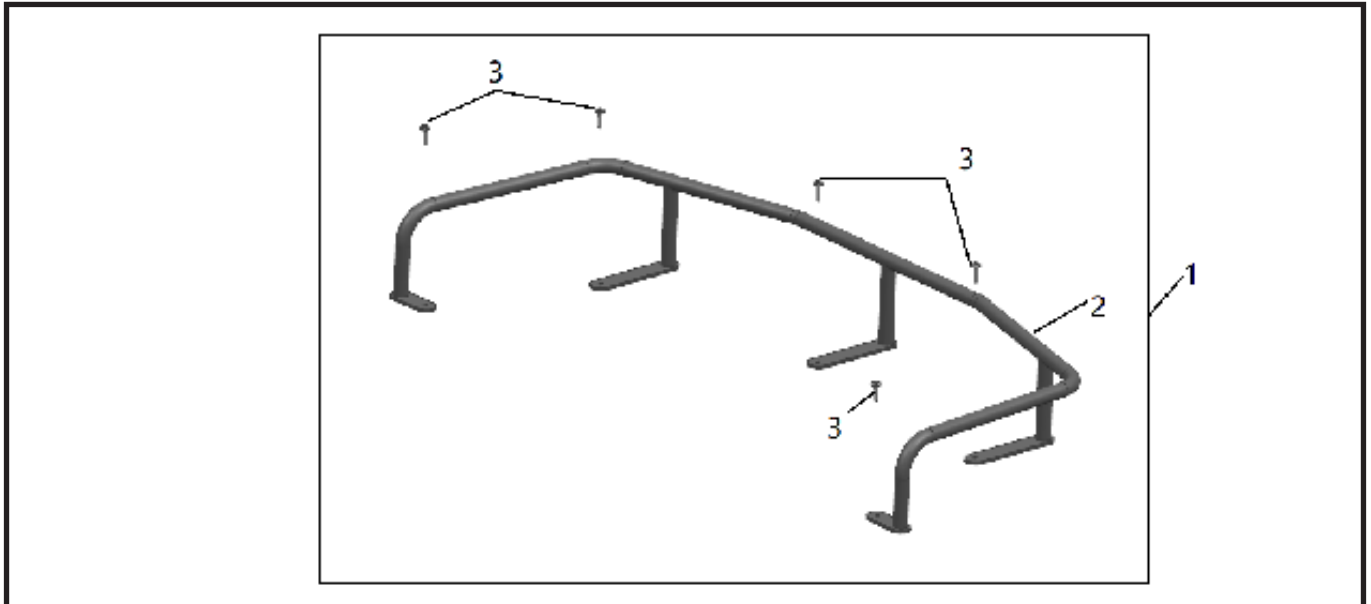
MEANING OF SYMBOLS

 - Indicates information with more details or tips.

 - Indicates information of warning or danger.

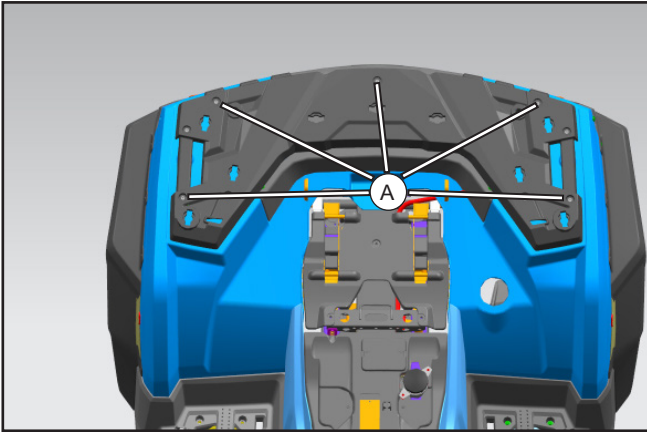
PARTS LIST:

ITEM	PART NAME	PART NUMBER	QTY.	REMARK
1	REAR RACK EXTENDER ASSEMBLY G	9AW#-802400-2000	1	
2	REAR RACK EXTENDER	9AW#-802100-2000	1	
3	SCREW M6×25	9AW#-802300-2000-20	6	



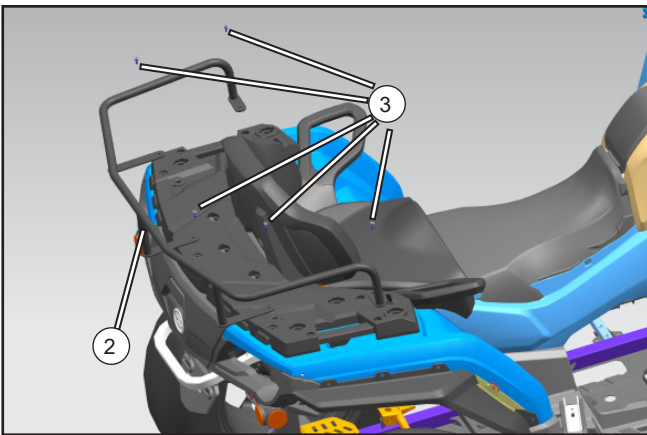
TOOL LIST:

ITEM	DESCRIPTION	QTY.	REMARK
1	5mm INNER HEX	1	Recommended tools
2	4mm INNER HEX	1	
3	PROTECTIVE GLOVES	1	



// Remove inner hex screws (A).

INNER HEX SCREW	M6×16	6NQ#-000206-6001	/
-----------------	-------	------------------	---



// Place the rear rack extender (2) over the mounting holes, then insert the screws (3).

// Torque the screws to specification.

SCREW	M6×25	9AW#-802300-2000-20	8-12N.m
-------	-------	---------------------	---------

