

## ACCESSORY SETUP INSTRUCTION

### FOOT PEG OFF-ROAD -- PN 6WWV-802510-5000/6WWV-802520-5000

VALID FOR: MY2023 and later Ibex 800 S, Ibex 800 T


**BEFORE YOU BEGIN:** Read and understand the instructions before starting any work. Make sure that all parts are ready and that you have all the tools required for assembly.


**NOTE:** CFMOTO shall not be liable for any damage caused by incorrect assembly. CFMOTO recommends that all original accessories be assembled by an authorized CFMOTO dealer.

Before assembly, park the vehicle on a flat surface, and turn off the key switch.

**Zhejiang CFMOTO Power Co., Ltd.** All rights reserved. Reproduction of this document, even in part, as well as copying of all kinds, is permitted only with the express written permission of the copyright owner.

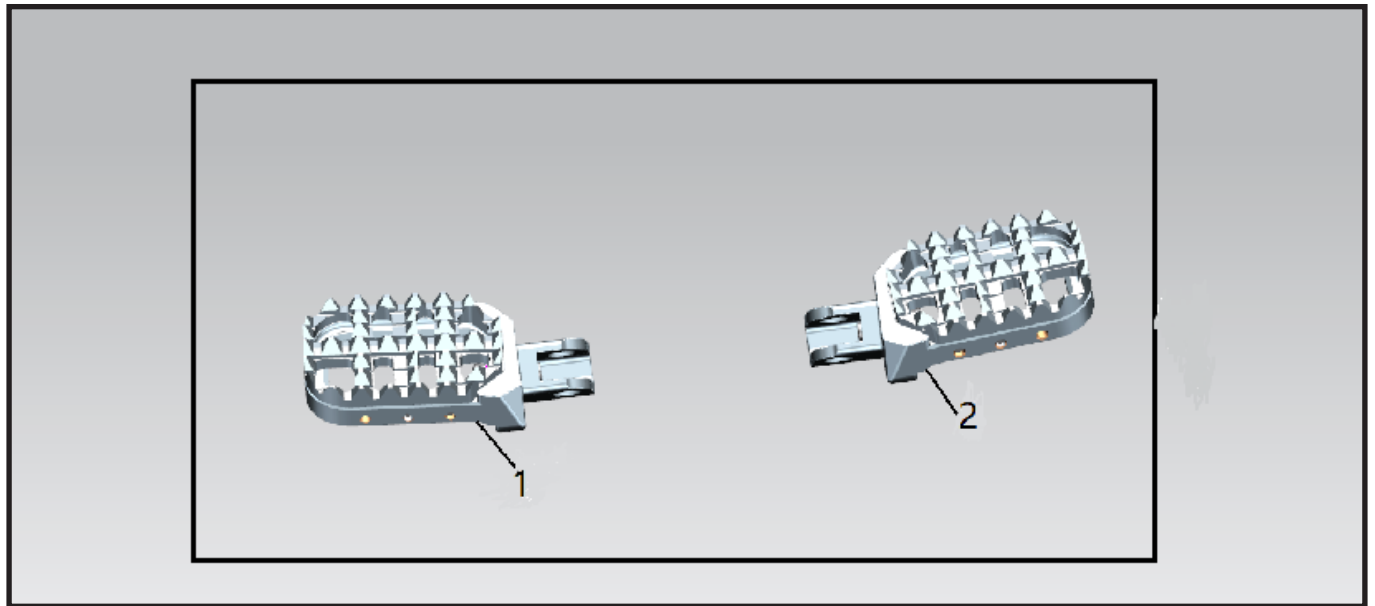
### MEANING OF SYMBOLS

 - Indicates information with more details or tips.

 - Indicates information of warning or danger.

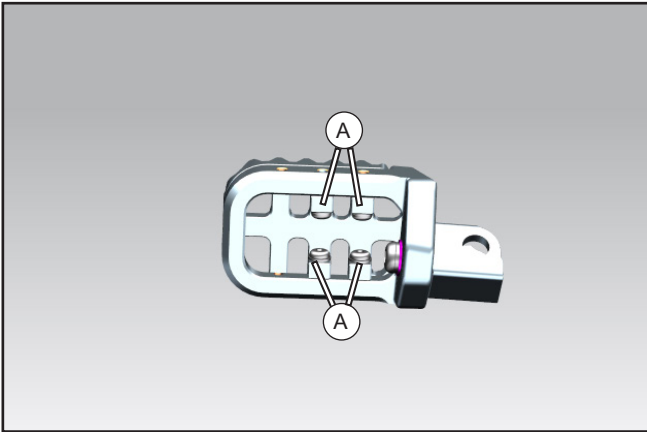
### PARTS LIST:

| ITEM | PART NAME             | PART NUMBER      | QTY. | REMARK |
|------|-----------------------|------------------|------|--------|
| 1    | FOOT PEG OFF-ROAD, LH | 6WWV-802510-5000 | 1    |        |
| 2    | FOOT PEG OFF-ROAD, RH | 6WWV-802520-5000 | 1    |        |

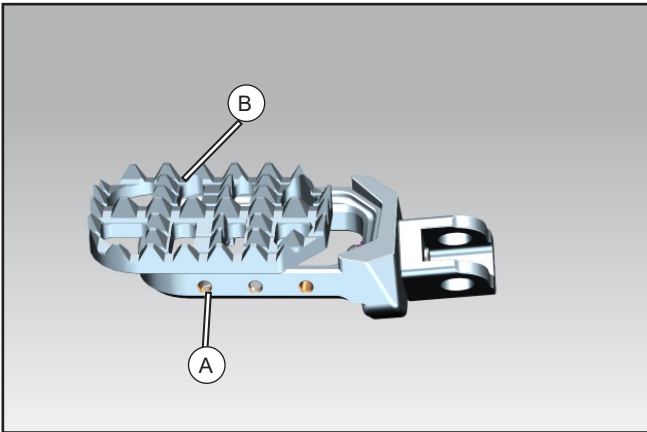


### TOOL LIST:

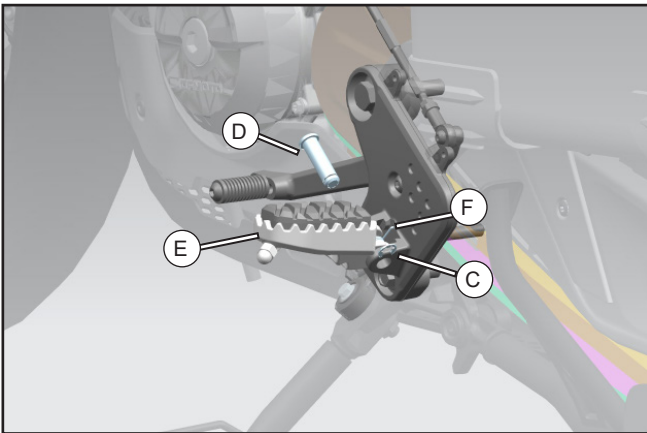
| ITEM | DESCRIPTION       | QTY. | REMARK            |
|------|-------------------|------|-------------------|
| 1    | PROTECTIVE GLOVES | 1    | Recommended tools |
| 2    | 4mm ALLEN WRENCH  | 1    |                   |
| 3    | LONG NOSE PLIERS  | 1    |                   |

**ASSEMBLY and INSTALLATION**


// After the width adjusting screws (A) are removed, the pedal width can be adjusted, and it can be adjusted in two gears.

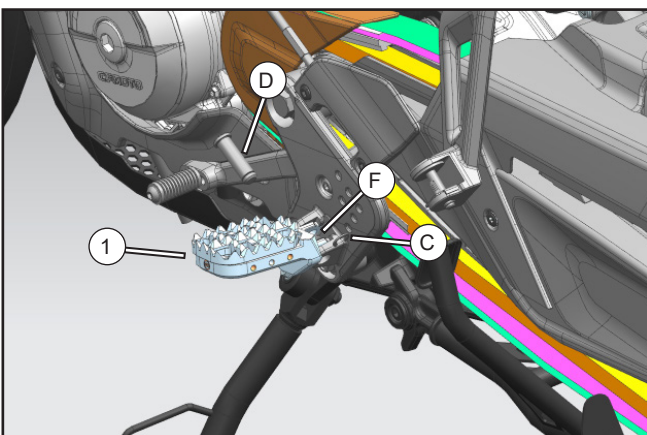


// Tighten the screws (A) after the anti slide block (B) is



// Remove the split washer (C), pull out the pin shaft (D), and take down the pedal (E) and the torsion spring (F).

**i** The left and right disassembly steps are the same.



// Place the torsion spring (F) and the left enlarged pedal (1) into the assembly position, and then install the pin shaft (D) and clip into the split washer (C).

**i** The assembly method of right enlarged pedal is the same.