

ACCESSORY SETUP INSTRUCTION

GUARD, FRONT BRAKE CALIPER -- PN 6WWV-802200-5000

VALID FOR: MY2023 and Newer Ibex 800 S, Ibex 800 T


BEFORE YOU BEGIN: Read and understand the instructions before starting any work. Make sure that all parts are ready and that you have all the tools required for assembly.


NOTE: CFMOTO shall not be liable for any damage caused by incorrect assembly. CFMOTO recommends that all original accessories be assembled by an authorized CFMOTO dealer.

Before assembly, park the vehicle on a flat surface, and turn off the key switch.

Zhejiang CFMOTO Power Co., Ltd. All rights reserved. Reproduction of this document, even in part, as well as copying of all kinds, is permitted only with the express written permission of the copyright owner.

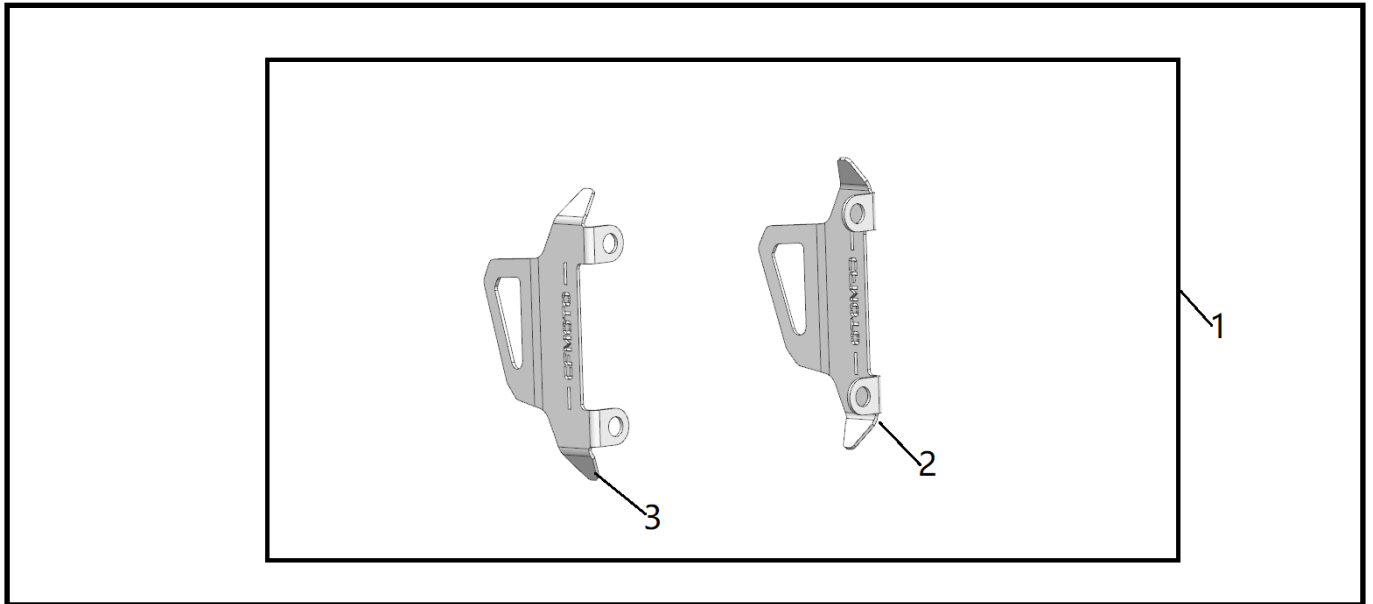
MEANING OF SYMBOLS

 - Indicates information with more details or tips.

 - Indicates information of warning or danger.

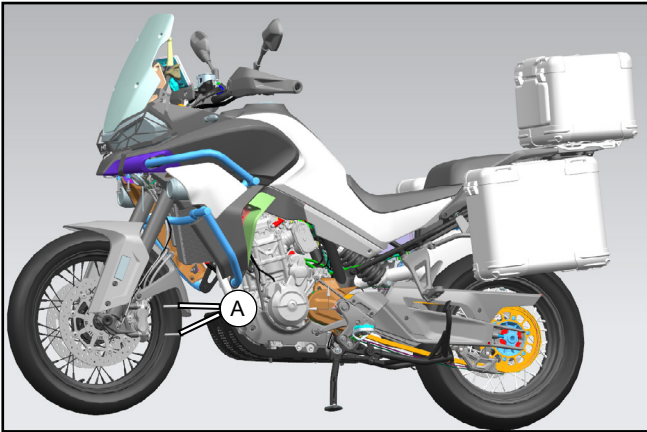
PARTS LIST:

ITEM	PART NAME	PART NUMBER	QTY.	REMARK
1	GUARD, FRONT BRAKE CALIPER	6WWV-802200-5000	1	
2	RH GUARD, FRONT BRAKE CALIPER	6WWV-802202-5000	1	
3	LH GUARD, FRONT BRAKE CALIPER	6WWV-802201-5000	1	

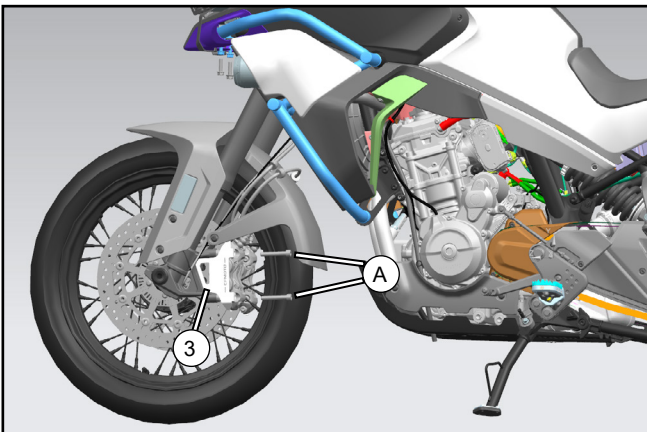


TOOL LIST:

ITEM	DESCRIPTION	QTY.	REMARK
1	PROTECTIVE GLOVES	1	Recommended tools
2	8mm ALLEN WRENCH	1	



// Remove the screws (A) securing the left and right callipers.



// Place the front brake caliper left guard (3) into the assembly position, install the screws (A) and tighten.

i Apply some thread locking sealant to the screws.
The front brake caliper right guard is assembled in the same way.

SCREW	M10x60	30006-0100060810	45N.m
-------	--------	------------------	-------

