



# ACCESSORY SETUP INSTRUCTION

## Side Stand Enlarger -- PN 6WWV-802100-5000

VALID FOR: MY2023 and Newer Ibex 800 S, Ibex 800 T

**BEFORE YOU BEGIN:** Read and understand the instructions before starting any work. Make sure that all parts are ready and that you have all the tools required for assembly.

**NOTE:** CFMOTO shall not be liable for any damage caused by incorrect assembly. CFMOTO recommends that all original accessories be assembled by an authorized CFMOTO dealer.

Before assembly, park the vehicle on a flat surface, and turn off the key switch.

**Zhejiang CFMOTO Power Co., Ltd.** All rights reserved. Reproduction of this document, even in part, as well as copying of all kinds, is permitted only with the express written permission of the copyright owner.

## MEANING OF SYMBOLS



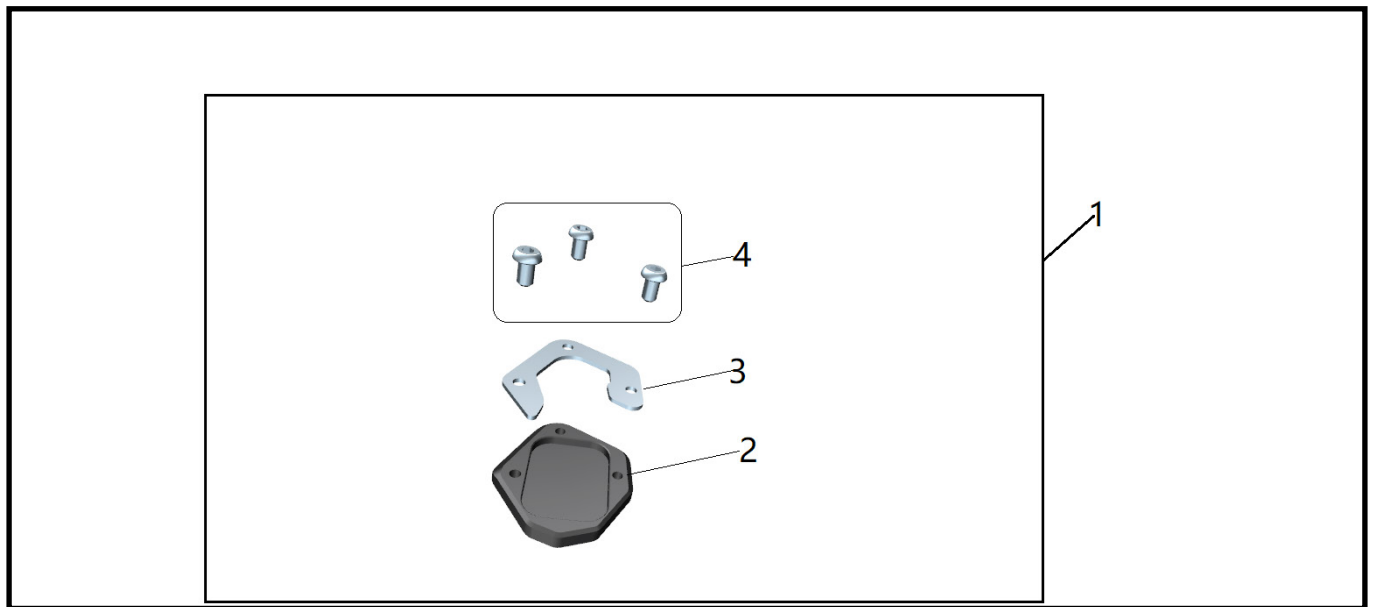
- Indicates information with more details or tips.



- Indicates information of warning or danger.

## PARTS LIST:

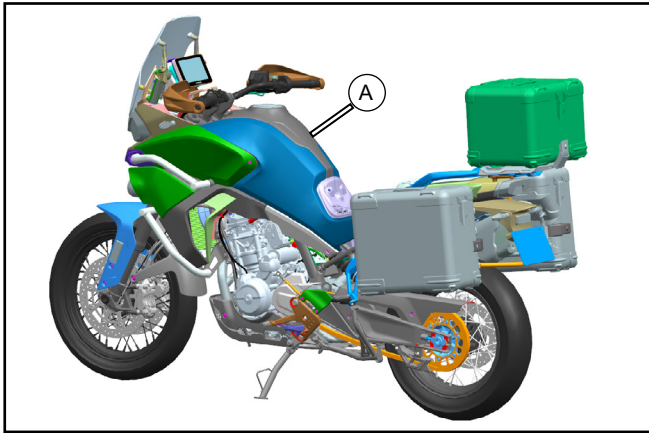
ITEM	PART NAME	PART NUMBER	QTY.	REMARK
1	SIDE STAND ENLARGER	6WWV-802100-5000	1	
2	LOWER BASE	6WWV-802102-5000	1	
3	UPPER COVER	6WWV-802101-5000	1	
4	SCREW M6×10	6GUV-802100-6000-20	3	



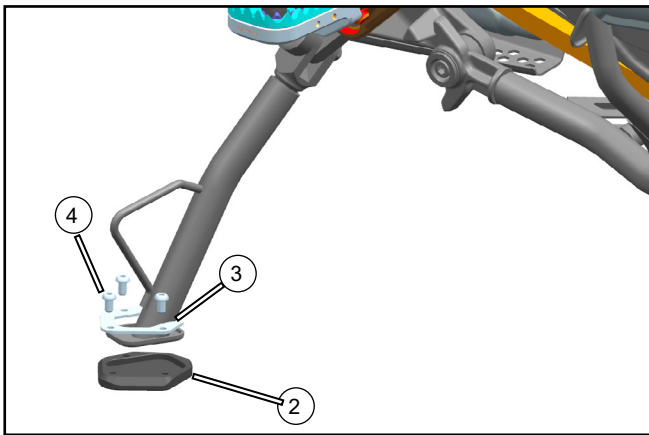
## TOOL LIST:

Item	Description	QTY.	REMARK
1	4mm ALLEN WRENCH	1	Recommended tools

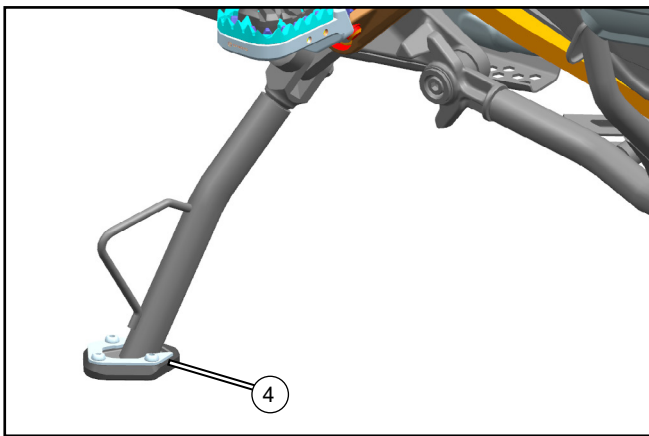
ASSEMBLY and INSTALLATION



// Hold up the whole vehicle (A) with the front wheel stand assembly.



// Install the lower base (2), the upper cover (3), and the screws (4) in turn.



// Tighten the screws (4).