



ACCESSORY SETUP INSTRUCTION

HANDLEBAR REAR VIEW MIRROR -- PN 6GUV-808300-6000

VALID FOR: MY2020 and Newer 700 CL-X Motorcycles


BEFORE YOU BEGIN: Read and understand the instructions before starting any work. Make sure that all parts are ready and that you have all the tools required for assembly.


NOTE: CFMOTO shall not be liable for any damage caused by incorrect assembly. CFMOTO recommends that all original accessories be assembled by an authorized CFMOTO dealer.

Before assembly, park the vehicle on a flat surface, put the transmission gear into Park (P) and turn off the key switch.

Zhejiang CFMOTO Power Co., Ltd. All rights reserved. Reproduction of this document, even in part, as well as copying of all kinds, is permitted only with the express written permission of the copyright owner.

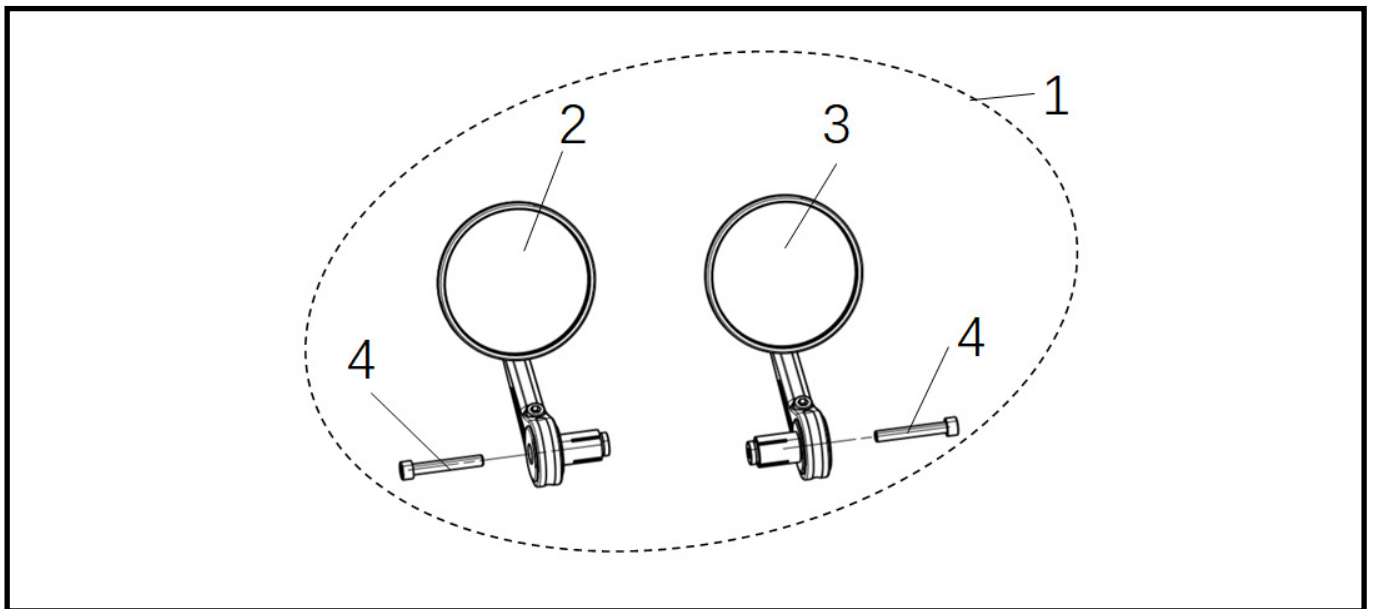
MEANING OF SYMBOLS

 - Indicates information with more details or tips.

 - Indicates information of warning or danger.

PARTS LIST:

ITEM	PART NAME	PART NUMBER	QTY.	REMARK
1	HANDLEBAR REAR VIEW MIRROR	6GUV-808300-6000	1	The picture is not the final product.
2	LH REAR VIEW MIRROR	6GUV-808310-6000		
3	RH REAR VIEW MIRROR	6GUV-808320-6000		
4	SCREW M6×40	6GUV-808300-6000-20		



TOOL LIST:

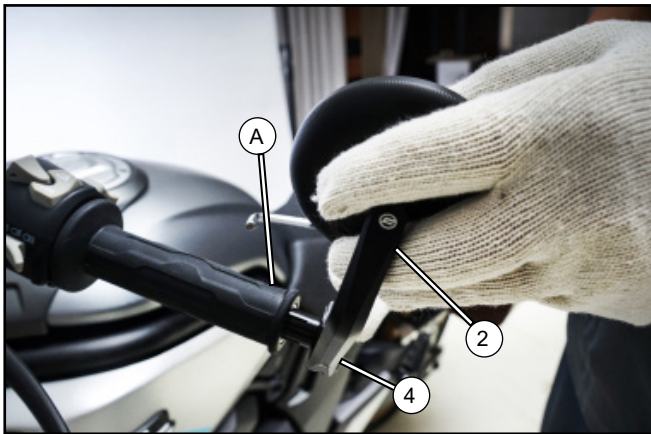
Item	Description	QTY.	REMARK
1	PROTECTIVE GLOVES	1	Recommended tools
2	5mm ALLEN WRENCH	1	



// Remove the original left and right rear-view mirrors (A).



// Remove the original left and right balancers (A).



// Install the left and right rear-view mirrors (2,3) to the handlebar with screws (4) and tighten.



// The angle of the rear-view mirror (1) can be adjusted according to the rider's posture.