

## ACCESSORY SETUP INSTRUCTION

### CHAIN PANEL ASSY -- PN 6GUV-801700-6000

VALID FOR: MY2020 and Newer 700 CL-X Motorcycles


**BEFORE YOU BEGIN:** Read and understand the instructions before starting any work. Make sure that all parts are ready and that you have all the tools required for assembly.

**NOTE:** CFMOTO shall not be liable for any damage caused by incorrect assembly. CFMOTO recommends that all original accessories be assembled by an authorized CFMOTO dealer.

Before assembly, park the vehicle on a flat surface, put the transmission gear into Park (P) and turn off the key switch.

**Zhejiang CFMOTO Power Co., Ltd.** All rights reserved. Reproduction of this document, even in part, as well as copying of all kinds, is permitted only with the express written permission of the copyright owner.

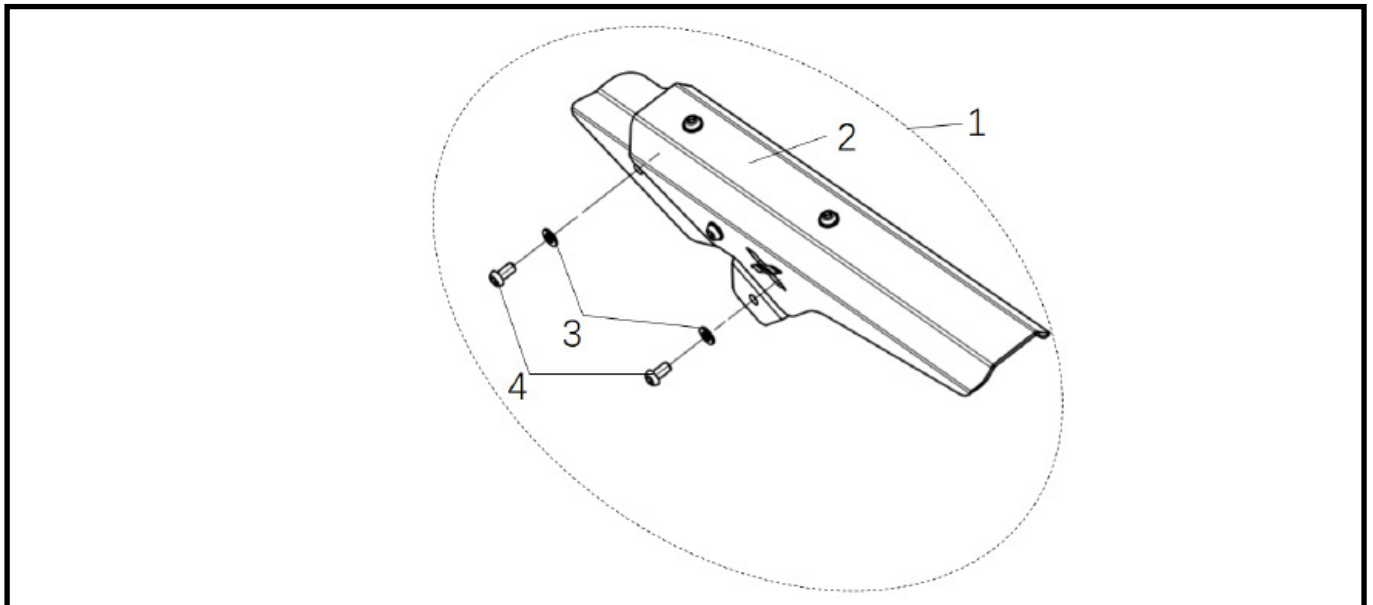
### MEANING OF SYMBOLS

 - Indicates information with more details or tips.

 - Indicates information of warning or danger.

### PARTS LIST:

ITEM	PART NAME	PART NUMBER	QTY.	REMARK
1	CHAIN PANEL ASSY	6GUV-801700-6000	1	The picture is not the final product.
2	CHAIN PANEL	6GUV-801710-6000	1	
3	M5 WASHER	6GUV-801700-6000-23	2	
4	SCREW M5×10	6GUV-801700-6000-20	2	



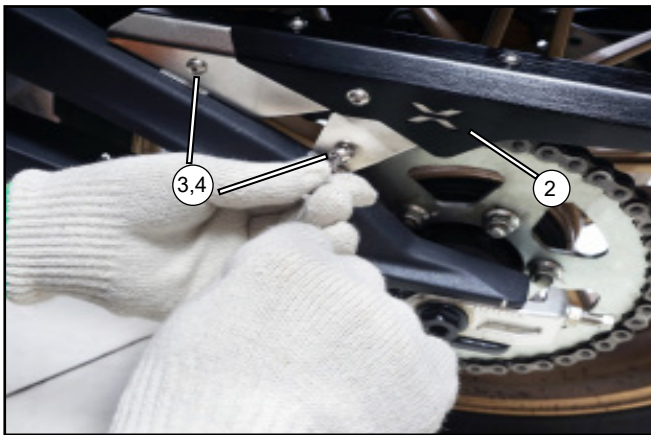
### TOOL LIST:

Item	Description	QTY.	REMARK
1	PROTECTIVE GLOVES	1	Recommended tools
2	5mm ALLEN WRENCH	1	
3	4mm ALLEN WRENCH	1	

**ASSEMBLY and INSTALLATION**



// Loosen the bolts (B) and remove the chain guard (A).



// Install the chain panel (2) with washers (3) and screws (4).

---

**i** Screws need to be coated with some thread lock.



// The length of the chain guard can be adjusted by adjusting the screws (A).