

## ACCESSORY SETUP INSTRUCTIONS

**SEAT COWL\_NEBULA WHITE, NEBULA BLACK  
SEAT COWL\_ZIRCON BLACK, VELOCITY GREY  
PN 6AQV-801300-1000, 6AQV-801400-1000  
VALID FOR: CF 450SS**


**BEFORE YOU BEGIN:** Read and understand the instructions before starting any work. Make sure that all parts are ready and that you have all the tools required for assembly.


**NOTE:** CFMOTO shall not be liable for any damage caused by incorrect assembly. CFMOTO recommends that all original accessories be assembled by an authorized CFMOTO dealer.

Before assembly, park the vehicle on a flat surface and turn off the key switch.

**Zhejiang CFMOTO Power Co., Ltd.** All rights reserved. Reproduction of this document, even in part, as well as copying of all kinds, is permitted only with the express written permission of the copyright owner.

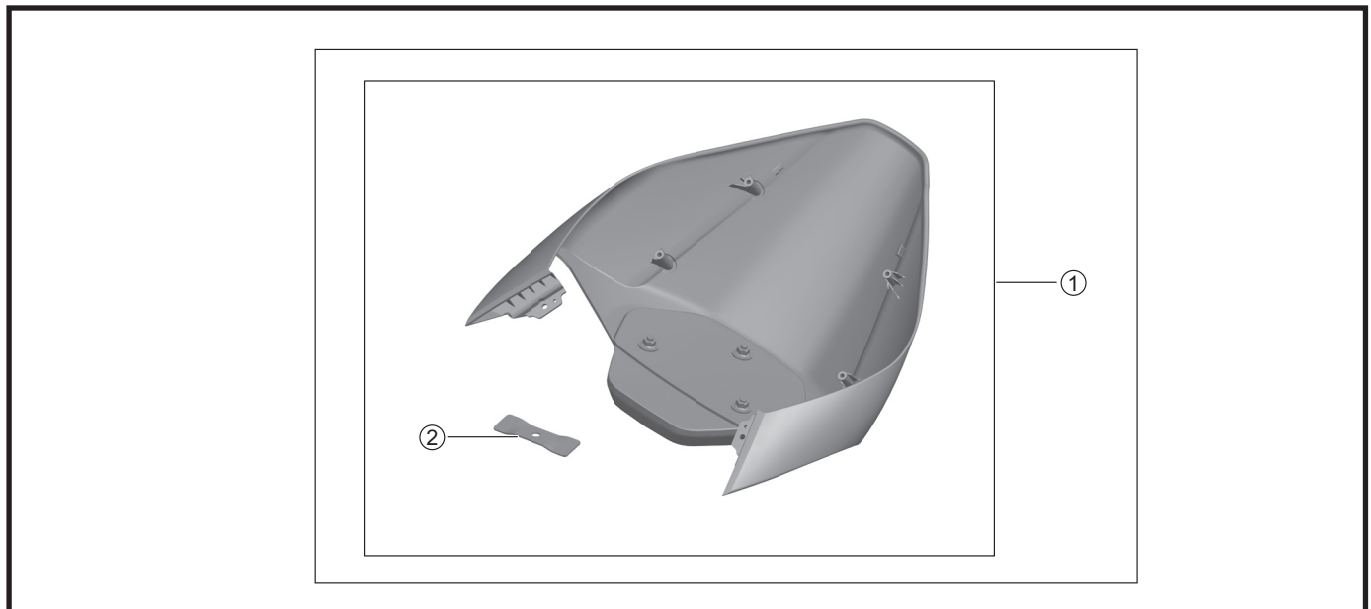
### MEANING OF SYMBOLS

 - Indicates information with more details or tips.

 - Indicates information of warning or danger.

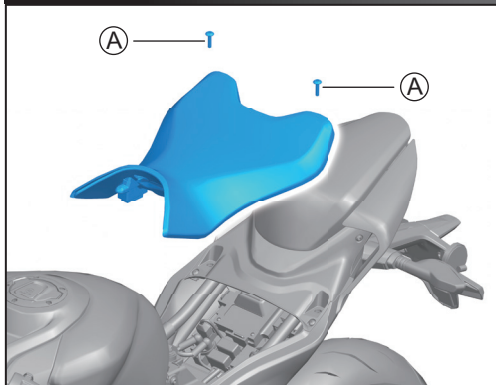
### PART LIST:

ITEM	PART NAME	PART NUMBER	QTY.	DESCRIPTION
1	SEAT COWL_NEBULA WHITE, NEBULA BLACK	6AQV-801300-1000	1	For structure reference only.
2	LOCK PLATE	6AQV-801101-1000	1	

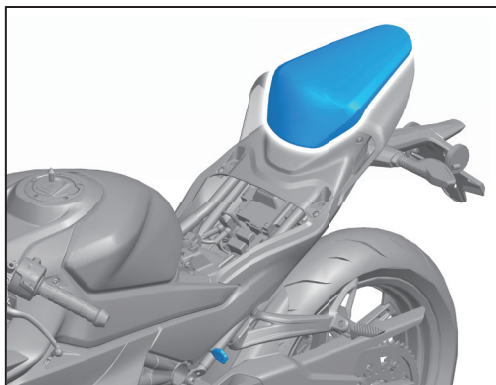


### TOOL LIST:

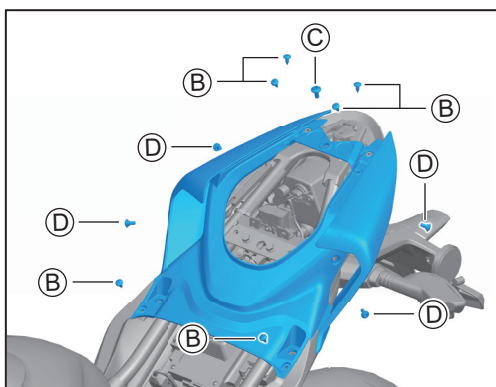
ITEM	DESCRIPTION	REMARK
1	PHILLIPS SCREWDRIVER	Recommended Tools
2	M5 INNER HEX WRENCH	
3	PROTECTIVE GLOVES	

**ASSEMBLY and INSTALLATION**


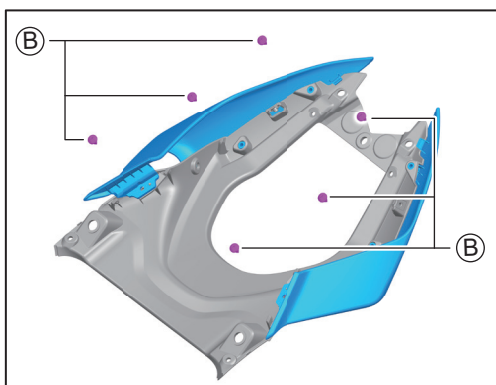
- 1** - Remove the front seat screws (A) and front seat.



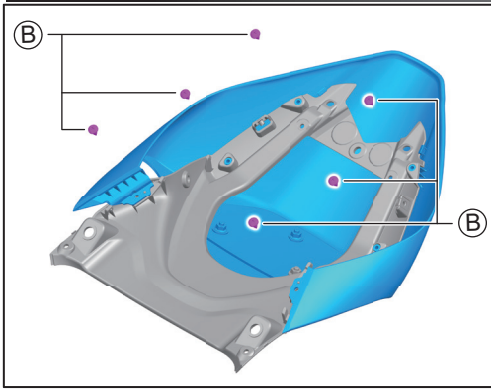
- 2** - Insert the vehicle key into the seat lock, and rotate the key to remove the rear seat of the vehicle.



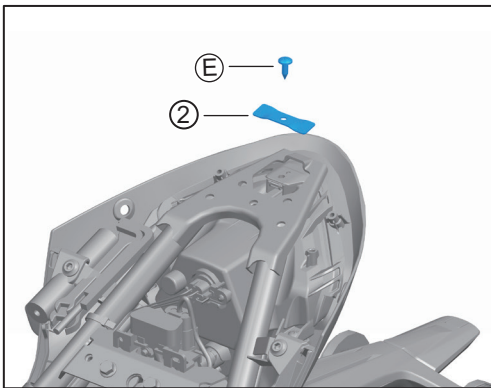
- 3** - Remove the self-tapping screws (B), fixing screw (C) and other screws (D). Then take off the rear seat panel.



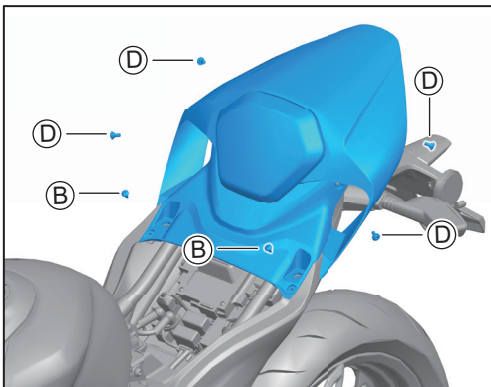
- 4** - Remove the self-tapping screws (B) for the two handholds on the rear seat panel. Then remove the two handholds.

**ASSEMBLY and INSTALLATION**


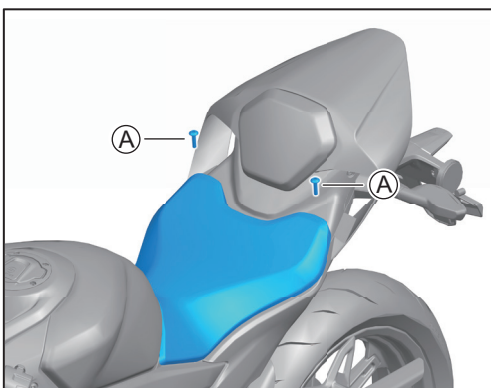
- 5 - Assemble the seat cowl on the rear seat panel, and reinstall the self-tapping screws (B).



- 6 - Remove the fixing screw (E), install the lock plate (2), and reinstall the fixing screw (E).



- 7 - Place the seat cowl on the vehicle, and reinstall the self-tapping screws (B) and other screws (D).



- 8 - Reinstall the front seat and its screws (A).

© Zhejiang CFMOTO Power Co., Ltd. All rights reserved.

Reproduction of this document, even in part, as well as copying of all kinds, is permitted only with the express written permission of the copyright owner.