

ACCESSORY SETUP INSTRUCTION

REAR BUMPER ASSEMBLY -- PN 5AS#-801200-6000

VALID FOR: MY2021 and Newer UFORCE 600

BEFORE YOU BEGIN: Read and understand the instructions before starting any work. Make sure that all parts are ready and that you have all the tools required for assembly.

NOTE: CFMOTO shall not be liable for any damage caused by incorrect assembly. CFMOTO recommends that all original accessories be assembled by an authorized CFMOTO dealer.

Before assembly, park the vehicle on a flat surface, put the transmission gear into Park (P) and turn off the key switch.

Zhejiang CFMOTO Power Co., Ltd. All rights reserved. Reproduction of this document, even in part, as well as copying of all kinds, is permitted only with the express written permission of the copyright owner.

MEANING OF SYMBOLS



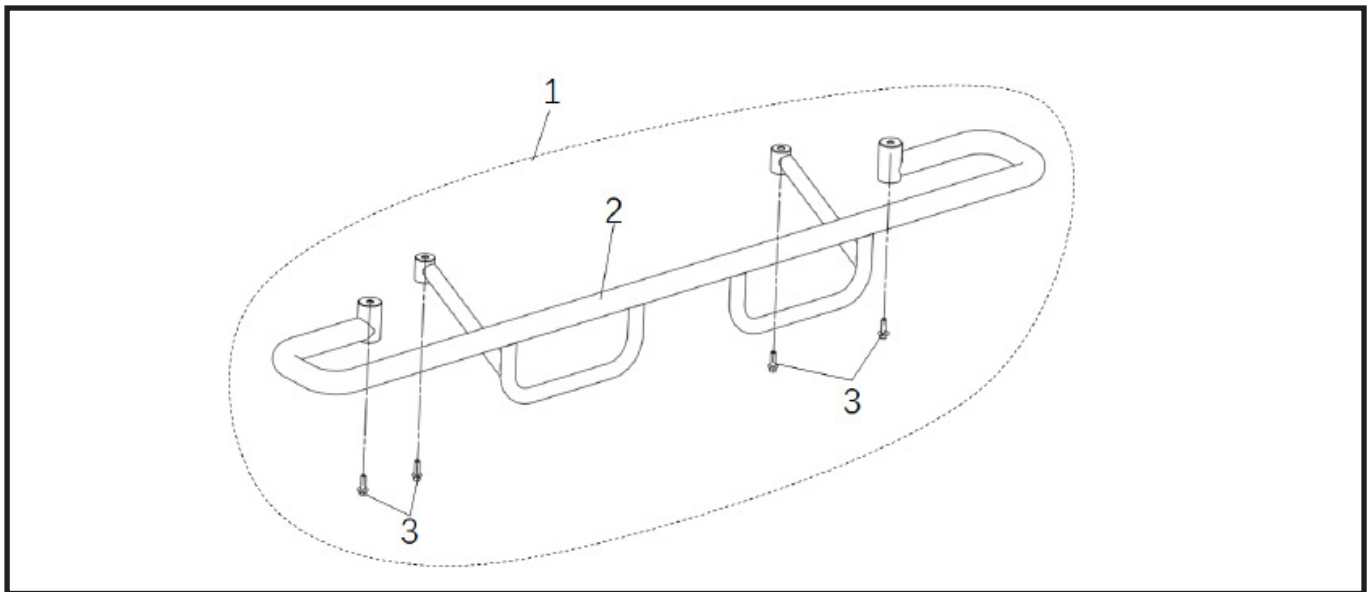
- Indicates information with more details or tips.



- Indicates information of warning or danger.

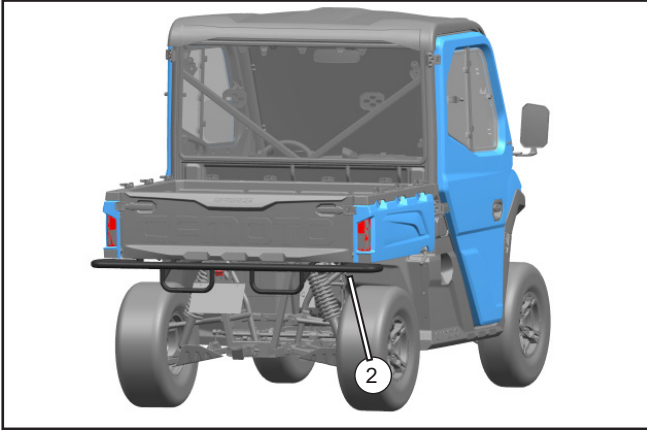
PARTS LIST:

ITEM	PART NAME	PART NUMBER	QTY.	REMARK
1	REAR BUMPER ASSEMBLY	5AS#-801200-6000	1	
2	REAR BUMPER	5AS#-801210-6000	1	
3	BOLT M8×25	30006-080025870	4	

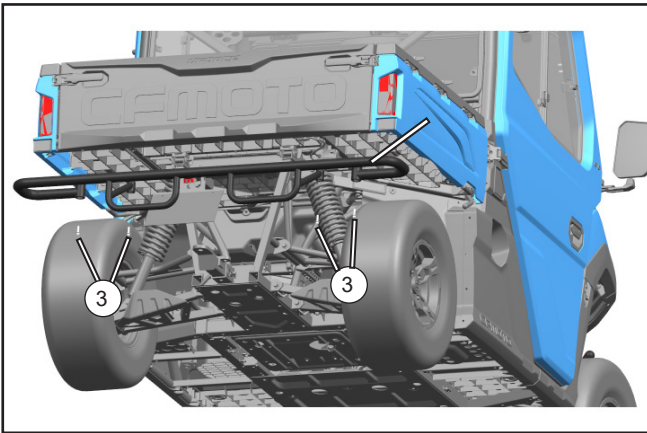


TOOL LIST:

ITEM	DESCRIPTION	QTY.	REMARK
1	13mm SOCKET	1	Recommended tools
2	PROTECTIVE GLOVES	1	

ASSEMBLY and INSTALLATION


// Position the rear bumper (2) in the assembly position as shown.



// Install bolts (3) and torque the bolts evenly to specification.

BOLT	M8×25	30006-080025870	15-26N.m
------	-------	-----------------	----------